

**EtherNet/IP Devices to ASCII**

**FEATURES**

- Fully configurable EtherNet/IP adapter
- Supports up To 480 bytes of input and 480 bytes of output data
- Parse ASCII data in up to 50 segments by delimiter or offset
- Concatenate up to 50 data segments into a string
- Effortless Browser Based Configuration, no programming software is required
- Simple data translation allows you to manipulate data as it passes between protocols
- Guaranteed Stock
- 5-Year Hardware Warranty

**Connect Legacy ASCII Devices and Systems to an EtherNet/IP PLC**

The 460ESA moves data between an EtherNet/IP PLC and serial ASCII. It's a perfect tool to connect ASCII devices like barcode scanners, weigh scales, LED displays, laser markers, and printers.

It's also a great way to interface with legacy PC-based control systems. If you have a device or system that communicates with serial ASCII data, the 460ESA can help you connect to an EtherNet/IP PLC.

**How Do I Use the 460ESA-N2EW in My Application?**

Up to 480 bytes of data can be mapped to and from an EtherNet/IP PLC. The data segments from EtherNet/IP can be converted to ASCII and delivered to your ASCII device. Incoming ASCII string can be parsed and directed to user-defined IO data location.

Need to scale your data or manipulate it with other math functions? The 460ESA allows you to add scaling to any data, apply simple math operations, add alarming, and control the request speeds of your scanner device.

**Why Use Real Time Automation as a Gateway Supplier?**

While there are certainly other companies offering protocol gateways, there is no one who provides the level of support and service that you receive from RTA.

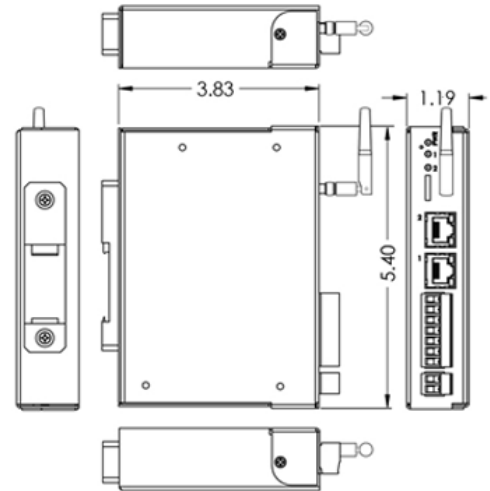
When you call, a live person answers the phone. When you talk with sales, you will get honest answers and recommendations. When you get support, it is from an engineer who had a hand in the product's development, and support doesn't require a ticket or 24-hour wait.



**A Solution, A Philosophy, the RTA Way.** We understand the long hours spent on a factory floor and the pressure to keep a line running and product flowing. That's how Real Time Automation came to be. You want easy-to-use solutions where the hardest part is to open the box. You need customer support second to none. If you get all that and a fun customer experience all the better. Thirty years later, our mission remains the same: **To move your data where you need it, when you need it, and how you need it.**

<b>EtherNet/IP Adapter</b>	
Operation Mode	Class 1 I/O Adapter
Message Support	Implicit Class 1 Cyclic I/O, Explicit Class 3 and UCMM Supported
Data Types	BIT8,16 & 32; INT8, 16, 32 & 64; UINT8,16, 32 & 64; Float & Double
Maximum EtherNet/IP Scanner Devices	Up to 10 can listen, only 1 can write I/O
Maximum Data Supported	Up to 480 bytes in each direction
Maximum IO Scan Rate	20 msec
<b>ASCII</b>	
Operation Mode	Bidirectional ASCII Transmit and Receive
Maximum Number of Devices Supported	2
Concatenation	Concatenate up to 50 segments data in a delimited ASCII sting
Maximum Number of ASCII Characters Transferred	1024 in each direction
Delimiter Processing	Incoming delimiters can be automatically removed; Outgoing delimiters automatically added if configured
Parsing	Parse string of ASCII data in up to 50 segments by delimiter or offset
<b>INCLUDED WITH GATEWAY</b>	
3' power cable with flying leads	5-year hardware warranty
IPSetup software – automatically locates RTA gateway on the network	Unlimited firmware feature upgrades for life
CAT5 crossover cable for direct connection to PC during programming	Complete, unlimited access to our industry leading support staff
Manual	

<b>ELECTRICAL / ENVIRONMENTAL</b>	
DC Input Voltage	12-24 VDC
Maximum Baud Rate	115K baud
Operating Temperature	-40 C to 85 C
Certification	RoHS-Compliant, UL, CUL, CE Approvals, Class I Div 2
<b>ENCLOSURE / HARDWARE</b>	
Size	5.40" x 3.83" x 1.19"
Weight	7.6 oz
Enclosure Type	Anodized Aluminum
Mounting	Din rail or panel mount
LEDs	Power LED & 2 general purpose LEDs on side
<b>GATEWAY FEATURES &amp; FUNCTIONS</b>	
Alarming	Set <, <=, >, >=, ==, !=, and change-of-state rules on any data moving through the gateway. If alarm rule is triggered an email notification can be sent.
Gateway Security	You can configure up to 9 different users access to diagnostic and configuration screens.
Translation Table	Allows for data manipulation during protocol translation. Scaling and other data format changes can occur in the gateway.
Status and Counters	Protocol specific status, counters, and error messages are accessible within the gateway's diagnostics page. They can also be delivered to a connected device.
Diagnostic Logging Page	Allows users to see and log start up sequences, protocol specific messages & error messages.



**NOT EXACTLY WHAT YOU WERE LOOKING FOR?**  
 Real Time Automation offers a full line of gateway products. Give us a call at 1-800-249-1612. Or, check out a listing at [www.rtautomation.com/products](http://www.rtautomation.com/products). We also offer customizations for unique applications.

CATALOG #	DESCRIPTION
460ESA-N2EW	Connects an EtherNet/IP scanner with up to two ASCII devices



Made in the  
**U.S.A.** 

Always In  
**Stock** 

Ready to  
**Ship** 

Expert  
**Support** 