

## Web Interface for EtherNet/IP with Wi-Fi

### FEATURES

- Fully configurable EtherNet/IP scanner
- Map data from up to 32 EtherNet/IP adapters
- Get PLC data table entries encoded in either JSON or XML
- Bidirectional data transfer supports both HTTP GET and POST
- Effortless Browser Based Configuration, no programming software is required
- Simple data translation allows you to manipulate data as it passes between protocols
- Guaranteed Stock
- 5-Year Hardware Warranty

### Get Data from EtherNet/IP Adapter Devices into your a Web Interface Device Wirelessly

With the 460ECWI it is easier than ever to monitor your EtherNet/IP adapters from Excel or pull table values into your web applications. The 46ESWI gets you the data – you just have to make use of it.

Best of all, the product is made in the USA, always in stock, and comes with 5-year warranty.

### How Do I Use the 460ECWI-NNA1 in My Application?

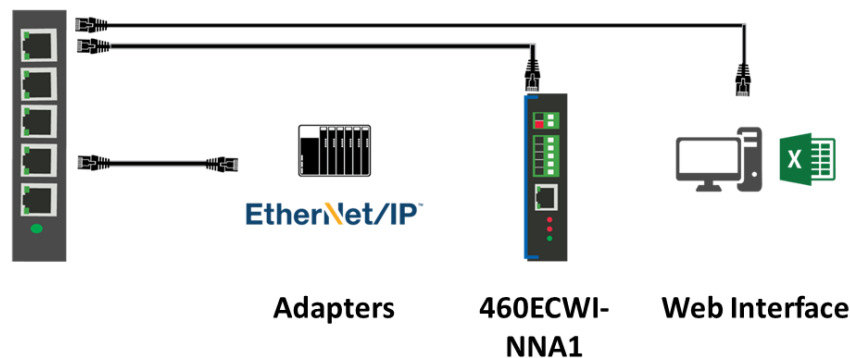
You'll identify the data set to expose on EtherNet/IP. This will identify the EtherNet/IP IO object data that will be available for you to read/write. Once that's complete you'll map, name and group the data to be presented as XML or JSON files.

Your application can issue standard HTTP GET or POST instructions to move data into your application. Up to 1000 data points can be moved in each direction.

### Why Use Real Time Automation as a Gateway Supplier?

While there are certainly other companies offering protocol gateways, there is no one who provides the level of support and service that you receive from RTA.

When you call, a live person answers the phone. When you talk with sales, you will get honest answers and recommendations. When you get support, it is from an engineer who had a hand in the product's development, and support doesn't require a ticket or 24-hour wait.



**A Solution, A Philosophy, the RTA Way.** We understand the long hours spent on a factory floor and the pressure to keep a line running and product flowing. That's how Real Time Automation came to be. You want easy-to-use solutions where the hardest part is to open the box. You need customer support second to none. If you get all that and a fun customer experience all the better. Thirty years later, our mission remains the same: **To move your data where you need it, when you need it, and how you need it.**

EtherNet/IP Scanner	
Operation Mode	Class 1 I/O Scanner
Message Support	Implicit Class 1 Cyclic I/O, Explicit not supported
Data Types	BIT8,16 & 32; INT8, 16, 32 & 64; UINT8,16, 32 & 64; Float & Double
Maximum EtherNet/IP Adapter Devices	32
Max Data Per Adapter Connection	Up to 496 bytes in each direction
Maximum IO Scan Rate	20 msec
Web Interface	
Max Web Interface Connections	One (gateway acting as client) / Unlimited (gateway acting as server)
Encodings	JSON and XML
Proxy Support	HTTP, SOCKS5 for Client
Maximum Number of Input Data Points	1000 JSON Fields or 1000 XML Tags
Maximum Number of Output Data Points	1000 JSON Fields or 1000 XML Tags
HTTP Services	Client: POST only; Server: GET and POST
INCLUDED WITH GATEWAY	
3' power cable with flying leads	5-year hardware warranty
IPSetup software – automatically locates RTA gateway on the network	Unlimited firmware feature upgrades for life
CAT5 crossover cable for direct connection to PC during programming	Complete, unlimited access to our industry leading support staff
Manual	

ELECTRICAL / ENVIRONMENTAL	
DC Input Voltage	12-24 VDC
Maximum Baud Rate	115K baud
Operating Temperature	-40 C to 85 C
Certification	RoHS-Compliant, UL, CUL, CE Approvals
ENCLOSURE / HARDWARE	
Size	3.88" x 2.57" x 1.06"
Weight	5.5 oz
Enclosure Type	Anodized Aluminum
Mounting	Din rail or panel mount
LEDs	Power LED & 2 general purpose LEDs on side
GATEWAY FEATURES & FUNCTIONS	
Alarming	Set <, <=, >, >=, ==, !=, and change-of-state rules on any data moving through the gateway. If alarm rule is triggered an email notification can be sent.
Gateway Security	You can configure up to 9 different users access to diagnostic and configuration screens.
Translation Table	Allows for data manipulation during protocol translation. Scaling and other data format changes can occur in the gateway.
Status and Counters	Protocol specific status, counters, and error messages are accessible within the gateway's diagnostics page. They can also be delivered to a connected device.
Diagnostic Logging Page	Allows users to see and log start up sequences, protocol specific messages & error messages.



**NOT EXACTLY WHAT YOU WERE LOOKING FOR?**  
 Real Time Automation offers a full line of gateway products. Give us a call at 1-800-249-1612. Or, check out a listing at [www.rtautomation.com/products](http://www.rtautomation.com/products). We also offer customizations for unique applications.

CATALOG #	DESCRIPTION
460ECWI-NNA1	Connects up to 32 EtherNet/IP adapters to a web interface device



Made in the  
**U.S.A.**

Always In  
**Stock**

Ready to  
**Ship**

Expert  
**Support**